

## D438ML

### Hi-quality with Powerful Parity Multi- effect and signal processor DSP Module

D438ML -a complete and powerful multi-effect DSP Board from Trigaudio, Providing various application such as PA Mixer (analog mixer )and standalone effect unit... D454M achieves any effects you want and have full confidence to deliver a high-quality effect level. Expect for high quality DSP algorithm that suitable for each applications , we also integrate varieties of powerful user interface into the module .In addition, Trigaudio provide simple display(LED/LCD) with multi-control(Digital encoder/tack-switch....) to support you quick development hardware design.

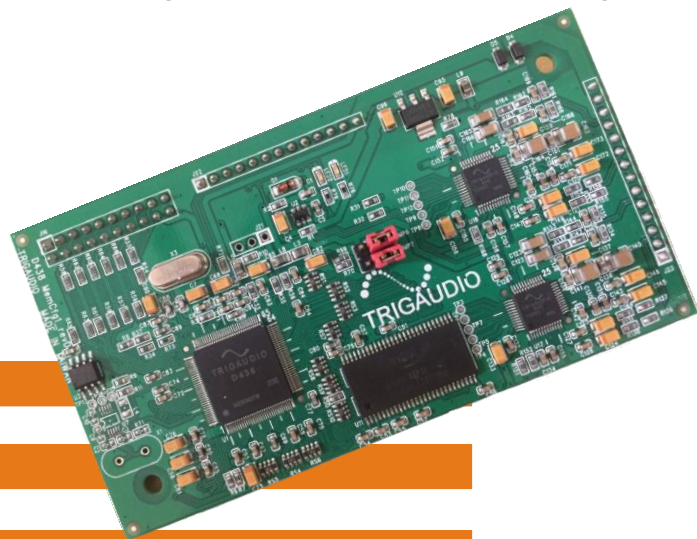
It also supports chipset solution, support external "MCU" control/display, easy to make flexibility design you own operating control.

### D438ML Features

- Premium 4 in /4 out application for Mixer/Power-Mixer or effects unit
- 24 bit digital signal processing with 24 bit AD/DA converters
- Dual engine dsp running 2x 99preset or other multiple functions
- 1x MIDI I/O port 1xSPDIF support
- Provide super long delay over 5 sec at 48 kHz sampling frequency (for double engine)
- Specialized Dedicated Hight-quality effects
- Low cost and price Competitive

### D438ML Specification (module)

Analog input signal	4ch
Input impedance	100k $\Omega$
Maximum input level	0dBu or 2.8Vp-p
Maximum output level	0dBu or 2.8Vp-p
Nominal Level:	0dB
Analog sutput signal	4ch
Output impedance	470 $\Omega$
DSP arithmetic	24x32 bit for filtering process
AD/DA conversion	24bit/48kHz~192kHz
S/N ratio	> 100dB
THD+N	0.015%@1kHz 0dB
Frequency response	20Hz - 20kHz +/- 1 dB
Power supply	DC +5V,
Consumption	150 mA



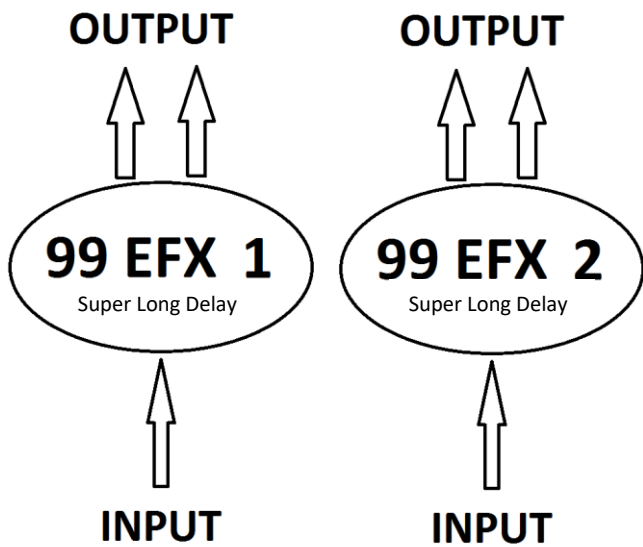
# D438ML

Hi-quality with Powerful Parity Multi- effect and signal processor DSP Module

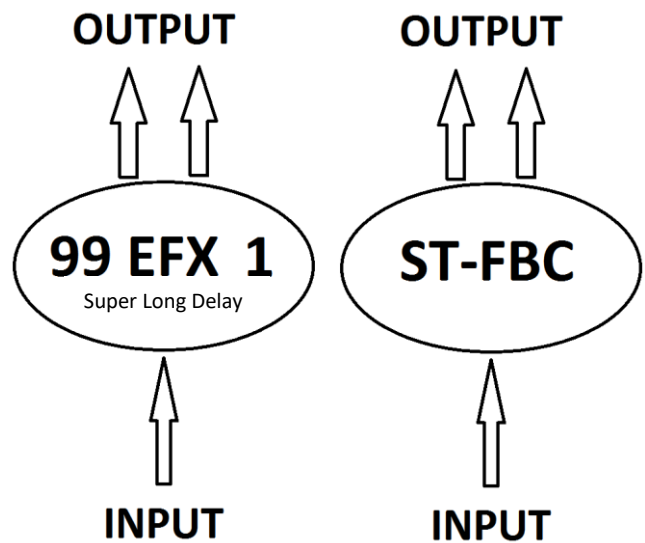
## FUNCTION APPLICATIONS

### Mixer effects collocation

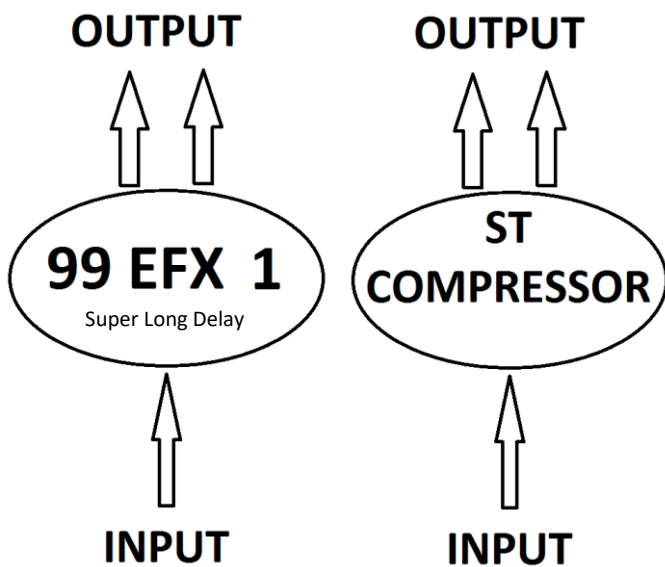
Type 1



Type 2



Type 3



Type 4

